



## CS300 Dual Output Constant Current Source



- Aii** A true constant current device, providing consistent, optimized power levels.
- Aii** Signatech signature recognition technology detects the attached light head and sets optimal current levels automatically.

### Ordering Information

Standard Product:  
Shipped Next Day

Standard Product Variation:  
Shipped Next Day

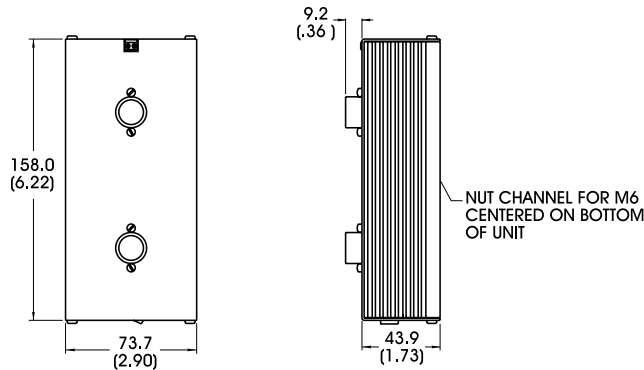
**CS300**

P/N: CS300

CS300 - **XX**  
IC

Optional  
Intensity  
Control

### Dimensional Information



DIMENSIONS ARE IN MILLIMETERS (INCHES)

### Additional Information

**Power Requirements:**  
1Amp @ 24vDC

**Optional Power Supply:**  
Shipped Next Day

P/N: PS-24TL

Description: 24volt power source with tinned leads

### Standard Product Information

Operating Temperature: 0-40° C



Meets CE standards