

CS410 Dual Output Intensity Controller



- 4i) Provides independent intensity control for two light outputs.
- 4i) Features industrialized power input terminal block as well as conventional DC jack.

Ordering Information

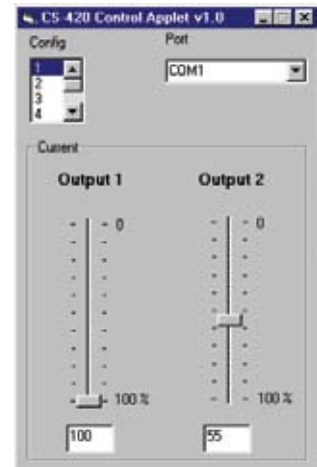
Standard Product:
Shipped Next Day

CS410

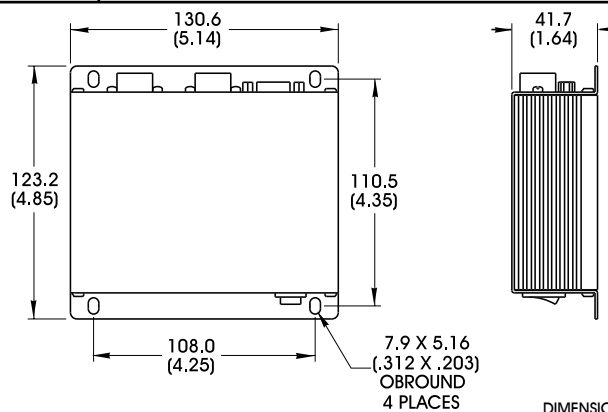
P/N: CS410

CS410 Control Applet

The CS410 Control Applet enables the user to program the intensity levels of up to two lights connected to a CS410 dual output intensity controller. Intensity is expressed as a percentage between 0 and 100 percent, where 0 percent represents minimum intensity and 100 percent maximum intensity. Maximum intensity is calculated based on the SignaTech signature of the light and various controller operating parameters.



Dimensional Information



Additional Information

Power Requirements:
1Amp @ 24vDC

Optional Power Supply:
Shipped Next Day

P/N: PS-24

Standard Product Information

Operating Temperature: 0-40° C



Meets CE standards