

EL163

Line Light



Aii Designed for use with line scan cameras

Aii Available in 38mm (1.5") increments up to 80"

Ordering Information

Standard Product Variation:
Shipped Within Three Weeks

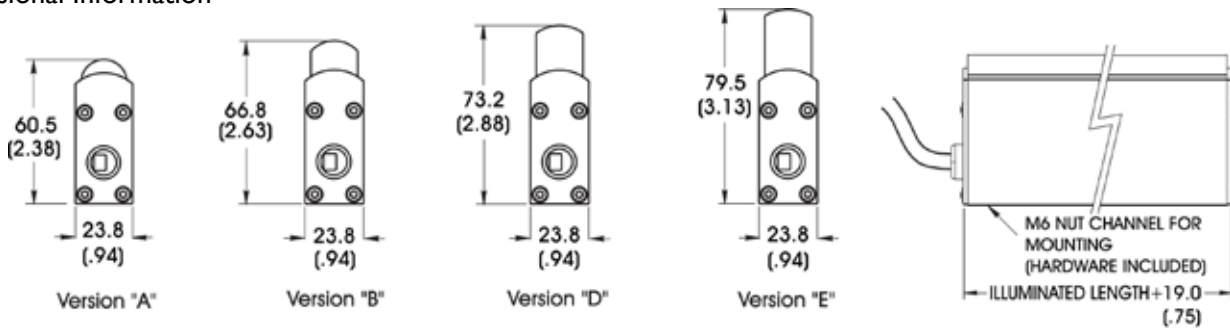
	Lighted Length (# of LEDs)		Spectral wavelength		Optional power Compatibility
EL163	XXX	X	-	XXX	XX
	6 LEDs =	A	(blue) 470†	12	
	38mm (1.5")	B	(green) 520†	24	
		D	(yellow) 590		
		E	(orange) 625		
			(red) 660		
			(infra-red) 880		
			(white) WHI †		

† Not available in 12v

Lens & Aiming Information

	Lens Type A	Lens Type B	Lens Type D	Lens Type E
Working Distance	25mm	50mm	75mm	125mm
Line Width	6mm	9.5mm	13mm	16mm

Dimensional Information



Cable Length: 1.5 Meter (59")

DIMENSIONS ARE IN MILLIMETERS (INCHES)

Current Specifications

Maximum draw per 38mm (1.5") length

	(blue)	(green)	(yellow)	(orange)	(red)	(infra-red)	(white)	(RGB)	
@12	N/A	N/A	60	60	60	60	N/A	N/A	mA
@24	30	30	30	30	30	30	30	N/A	mA

Product Information

Product Lifetime:	10,000 hours (White) 50,000 hours (Red)
Operating Temperature:	0-60° C