

EL193

Surface Mount LED Back Light Strip



- 4i) Extremely consistent light over the entire active area of illumination
- 4i) Available in 25mm (1") increments up to 80"

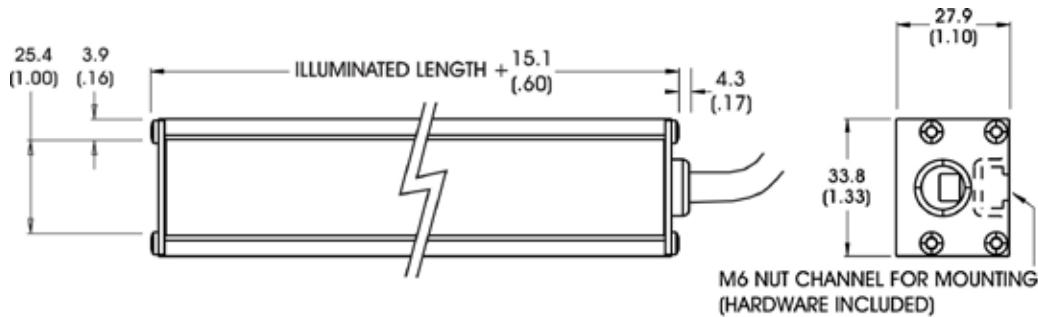
Ordering Information

Standard Product Variation:
Shipped Within Three Weeks

	Illuminated Length (in inches)		Spectral wavelength	Optional power Compatibility*
EL193	XX	-	XXX	XX
			(red) 660	12
			(infra-red) 880	24

*If configured for use with an Ai power supply, leave blank

Dimensional Information



Cable Length: 1.5 Meter (59")

DIMENSIONS ARE IN MILLIMETERS (INCHES)

Current Specifications

Maximum draw per 25mm (1") length

	(blue)	(green)	(yellow)	(orange)	(red)	(infra-red)	(white)	(RGB)	
@12	N/A	N/A	N/A	N/A	60	60	N/A	N/A	mA
@24	N/A	N/A	N/A	N/A	30	30	N/A	N/A	mA

Product Information

Product Lifetime:	100,000 hours
Operating Temperature:	0-65° C