



LL068

High Intensity Line Light

- 4i** Perfect for line scanning applications.
90,000 Lux @ 3"; 50,000 hours life
- 4i** Modular design in 6" increments up to 96"



Ordering Information

Standard Product:
Shipped Next Day

Standard Product Variation:
Shipped Within Three Weeks

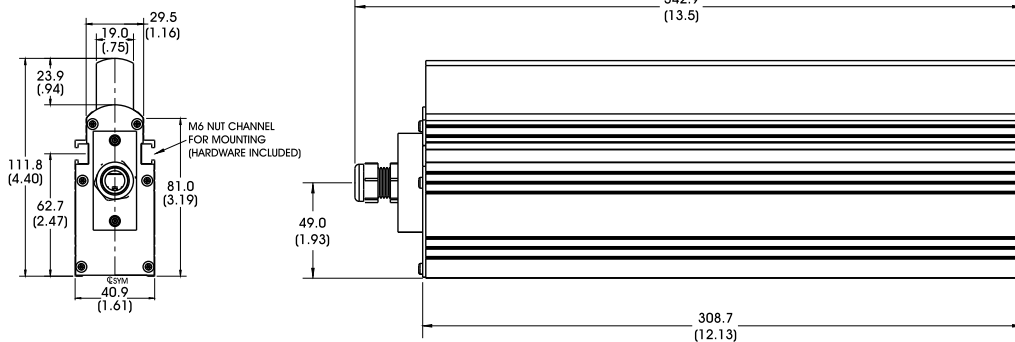
LL068

P/N: LL068-WHI24-002
Configured for use with user
supplied 24v power supply.

	Spectral wavelength		Optional power compatibility		Product Identifier
LL068	-	XXX		-	XXX
	(blue)	470†	12		###
	(green)	530†	24		
	(red)	625	C2		Individually assigned based on: length, LED color and lens.
	(white)	WHI†	C3		Please call for part number and pricing.

C2 = Ai Connector
C3 = Pulsar Connector
†Not available in 12v

Dimensional Information



Cable Length: 1.5 Meter (59")

DIMENSIONS ARE IN MILLIMETERS (INCHES)

Standard Variation Current Specifications

Maximum draw per 152mm (6") length

	(blue)	(green)	(yellow)	(orange)	(red)	(infra-red)	(white)	(RGB)	
@12	N/A	N/A	N/A	N/A	1400	N/A	N/A	N/A	mA
@24	1400	1400	N/A	N/A	700	N/A	1400	N/A	mA

Standard Product Information

Product Lifetime:	50,000 hours
Operating Temperature:	0-60° C