

## MS210 Dual Output Channel Mixer



- 4i)** Provides independent intensity control of four channels through dual slaved outputs.
- 4i)** Features industrialized power input terminal block as well as conventional DC jack.

### Ordering Information

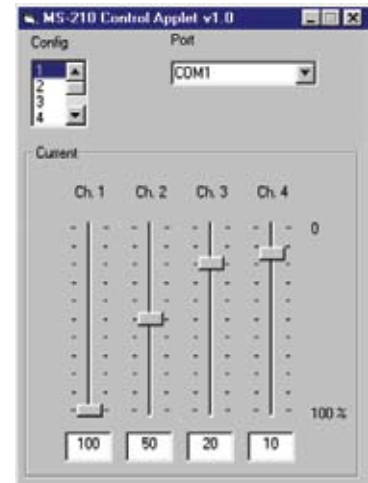
Standard Product:  
Shipped Next Day

**MS210**

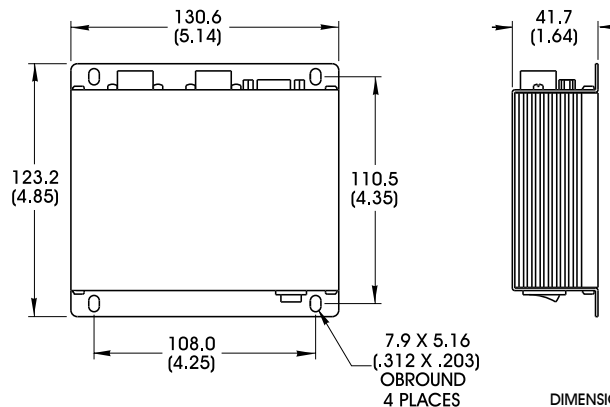
P/N: MS210

### MS210 Control Applet

The MS210 Control Applet enables the user to program the intensity levels of each of four channels within a single light head when connected to an MS210 four channel intensity controller. Intensity is expressed as a percentage between 0 and 100 percent, where 0 percent represents minimum intensity and 100 percent maximum intensity. Maximum intensity is calculated based on the SignaTech signature of the light and various controller operating parameters.



### Dimensional Information



DIMENSIONS ARE IN MILLIMETERS (INCHES)

### Additional Information

Power Requirements:  
1Amp @ 24vDC

Optional Power Supply:  
Shipped Next Day

P/N: PS-24

### Standard Product Information

Operating Temperature: 0-40° C



Meets CE standards