

MS220

Dual Output Channel Mixer

(with Digital Interface)



- 4i)** User interface provides three-button/three digit display. (RS232 programmable as well.)
- 4i)** Provides independent intensity control of four channels through dual slaved outputs.

Ordering Information

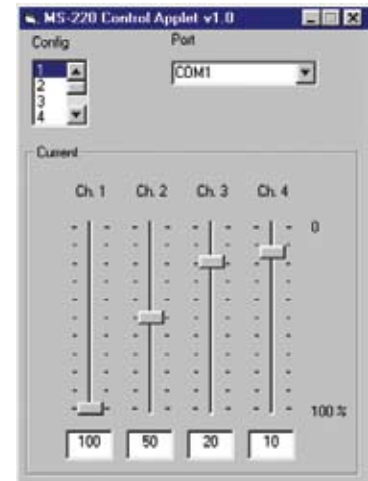
Standard Product:
Shipped Next Day

MS220

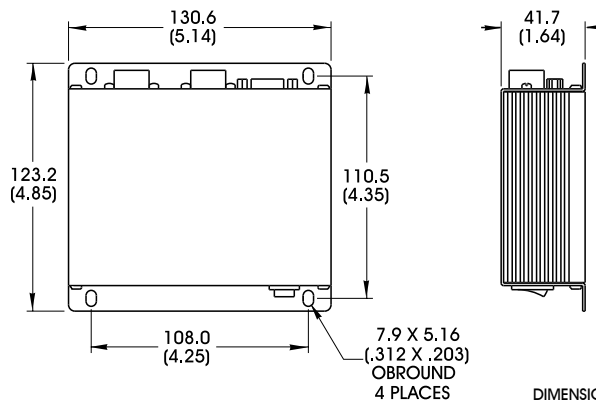
P/N: MS220

MS220 Control Applet

The MS220 Control Applet enables the user to program the intensity levels of each of four channels within a single light head when connected to an MS220 four channel intensity controller. Intensity is expressed as a percentage between 0 and 100 percent, where 0 percent represents minimum intensity and 100 percent maximum intensity. Maximum intensity is calculated based on the SignaTech signature of the light and various controller operating parameters.



Dimensional Information



DIMENSIONS ARE IN MILLIMETERS (INCHES)

Additional Information

Power Requirements:
1Amp @ 24vDC

Optional Power Supply:
Shipped Next Day

P/N: PS-24

Standard Product Information

Operating Temperature: 0-40° C



Meets CE standards