

RL6512

High Current Bright Field Ring Light



- 4i)** High intensity from a long working distance
- 4i)** Rugged housing features efficient thermal management; available in washdown version

Ordering Information

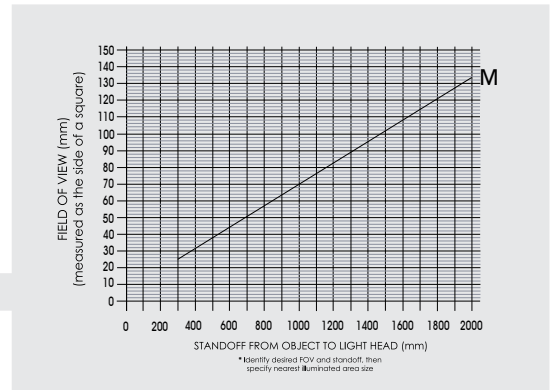
Standard Product:
Shipped within two weeks

RL6512

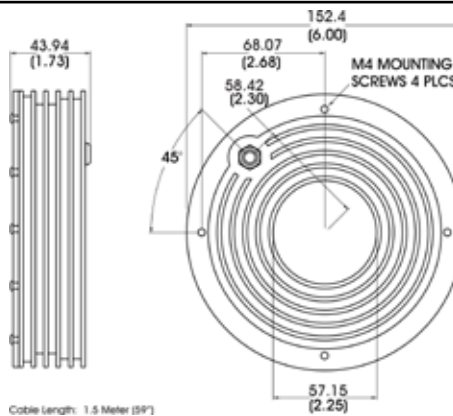
P/N: RL6512-WHI0300M24
Configured for use with user supplied 24v regulated power supply.

Standard Product Variation:
Shipped Within Two Weeks

Spectral wavelength	Stand off	Field of View	Cable Option	Wash Down	Power Option
RL6512 - XXX	XXXX	M	X	X	XX
(blue) 470†	See chart to compute standoff.	A	500mm Turck Connector (Male)	W	12
(green) 530†					24
(red) 625					
(white) WHI†					
†Not available in 12v			*(Internal Strobe)		



Dimensional Information



DIMENSIONS ARE IN MILLIMETERS (INCHES)

Standard Variation Current Specifications

	(blue)	(green)	(yellow)	(orange)	(red)	(infra-red)	(white)	(RGB)	
@12	N/A	N/A	N/A	N/A	1400	N/A	N/A	N/A	mA
@24	700	700	N/A	N/A	700	N/A	700	N/A	mA

Standard Product Information

Product Lifetime:	50,000 hours
Operating Temperature:	0-60° C